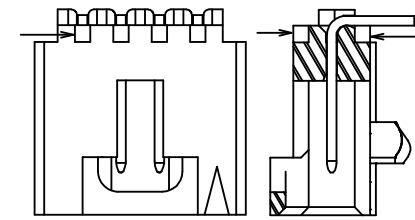


NOTES:

1. HEADER MATERIAL: GLASS FILLED POLYESTER; UL94V-0; COLOR: BLACK
PIN MATERIAL: PHOSPHOR BRONZE
2. HEADER TO BE USED WITH OPTION "G" T0400 AND T0430 SERIES SL CONNECTORS.
3. REFER TO MOLEX PRODUCT SPECIFICATION PS-70541.
4. STANDARD PACKAGING PER PK-70873-0015.
5. DIMENSIONS WITHOUT TOLERANCE ARE SHOWN FOR REFERENCE ONLY.
6. MEASURE POINT FOR PLATING THICKNESS.

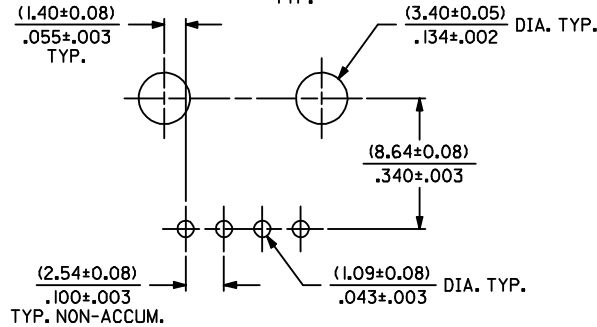
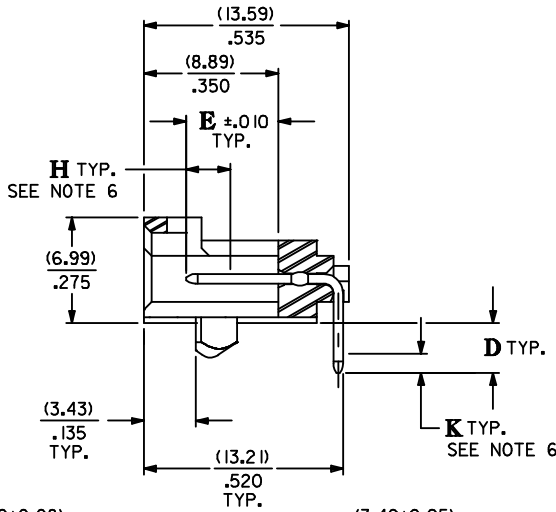
PLATING:

- TIN - .000150 MINIMUM TIN PLATE OVER .000050 MINIMUM NICKEL PLATE.
- 15 GOLD - .000015 MINIMUM GOLD PLATE IN SELECT AREA, .000075 MINIMUM TIN PLATE IN SELECT AREA, OVER .000050 MINIMUM NICKEL PLATE OVERALL.
- 30 GOLD - .000030 MINIMUM GOLD PLATE IN SELECT AREA, .000075 MINIMUM TIN PLATE IN SELECT AREA, OVER .000050 MINIMUM NICKEL PLATE OVERALL.



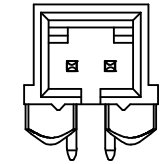
ALTERNATIVE CORING MANUFACTURER'S OPTION

CKT. SIZE	DIM. "A"		DIM. "B"	
	MM	IN.	MM	IN.
2	2.54	.100	5.33	.210
3	5.08	.200	8.13	.320
4	7.62	.300	10.67	.420
5	10.16	.400	13.21	.520
6	12.70	.500	15.75	.620
7	15.24	.600	18.29	.720
8	17.78	.700	20.83	.820
9	20.32	.800	23.37	.920
10	22.86	.900	25.91	1.020
11	25.40	1.000	28.45	1.120
12	27.94	1.100	30.99	1.220
13	30.48	1.200	33.53	1.320
14	33.02	1.300	36.07	1.420
15	35.56	1.400	38.61	1.520
16	38.10	1.500	41.15	1.620
17	40.64	1.600	43.69	1.720
18	43.18	1.700	46.23	1.820
19	45.72	1.800	48.77	1.920
20	48.26	1.900	51.31	2.020
21	50.80	2.000	53.85	2.120
22	53.34	2.100	56.39	2.220
23	55.88	2.200	58.93	2.320
24	58.42	2.300	61.47	2.420
25	60.96	2.400	64.01	2.520

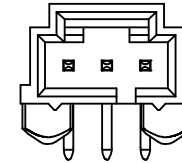


RECOMMENDED P.C. BOARD LAYOUT

(FOR USE WITH (1.57)/.062 THICK BOARD)



2 CIRCUIT



3 CIRCUIT

ADD DIMENSIONS EC NO: UCP2009-0475 DRWN:MS BARRA 2008/09/11 CHKD:JORGAN 2008/09/11 APPR:SMILLER 2008/09/12	QUALITY SYMBOLS ▽=0 ▽=0	GENERAL TOLERANCES (UNLESS SPECIFIED)		DIMENSION STYLE MM/IN		SCALE 4:1	DESIGN UNITS INCH	THIRD ANGLE PROJECTION			
		4 PLACES ± --- ± --- 3 PLACES ± --- ± .005 2 PLACES ± 0.13 ± .01 1 PLACE ± 0.25 ± ---	mm INCH	DRAWN BY AAB	DATE 1993/05/13	SL RIGHT ANGLE HEADER W/LATCH & TRI-PEGS (2.54)/.100 CENTERS MOLEX INCORPORATED					
		ANGULAR ±1/2°		CHECKED BY AAB	DATE 1993/05/13						
		DRAFT WHERE APPLICABLE MUST REMAIN WITHIN DIMENSIONS		APPROVED BY WAZ		DATE 1993/05/13	MATERIAL NO. SEE TABLE	DOCUMENT NO. SDA-70555-****	SHEET NO. 1 OF 2		

13		12		11		10		9		8		7		6		5		4		3		2		1	
J	CIRCUIT SIZE	ENGINEERING NUMBER A-70555	MANUFACTURE RELEASE STATUS	D REF.	E ± .010	PLATE PER ES-88	CONNECTOR END PLATING			P.C. BOARD END PLATING			VOIDED CIRCUIT NUMBER												
							TYPE	H MEAS.		TYPE	K MEAS.														
	2-10	-0001-0009	R.F.M.	(3.30)	(6.10)		TIN	(2.54)		TIN	(1.27)														
	11-25	-0010-0024	R.F.M.	.130	.240																				
I	2-10	-0036-0044	R.F.M.	(3.30)	(6.10)		15 GOLD	(2.54)		TIN	(1.27)														
	11-25	-0045-0059	R.F.M.	.130	.240																				
H	2-10	-0071-0079	R.F.M.	(3.30)	(6.10)		30 GOLD	(2.54)		TIN	(1.27)														
	11-25	-0080-0094	R.F.M.	.130	.240																				
G	2-10	-0106-0114	R.F.M.	(2.67)	(6.10)		15 GOLD	(2.54)		TIN	(1.27)														
	11-25	-0115-0129	R.F.M.	.105	.240																				
G	2-10	-5001-5009	R.F.M.	(3.30)	(6.10)		TIN	(2.54)		TIN	(1.27)		2												
	11-25	-5010-5024	R.F.M.	.130	.240																				

CIRCUIT SIZE	ASSEMBLY ITEM NUMBER	ASSEMBLY ITEM NUMBER	ASSEMBLY ITEM NUMBER	ASSEMBLY ITEM NUMBER	ASSEMBLY ITEM NUMBER	ASSEMBLY ITEM NUMBER
2	70555-0001	70555-0036	70555-0071			70555-5001
3	70555-0002	70555-0037	70555-0072			70555-5002
4	70555-0003	70555-0038	70555-0073	70555-0108		70555-5003
5	70555-0004	70555-0039	70555-0074	70555-0109		70555-5004
6	70555-0005	70555-0040	70555-0075			70555-5005
7	70555-0006	70555-0041	70555-0076			70555-5006
8	70555-0007	70555-0042	70555-0077			70555-5007
9	70555-0008	70555-0043	70555-0078			70555-5008
10	70555-0009	70555-0044	70555-0079			70555-5009
11	70555-0010	70555-0045	70555-0080			70555-5010
12	70555-0011	70555-0046	70555-0081			70555-5011
13	70555-0012	70555-0047	70555-0082			70555-5012
14	70555-0013	70555-0048	70555-0083			70555-5013
15	70555-0014	70555-0049	70555-0084			70555-5014
16	70555-0015	70555-0050	70555-0085			70555-5015
17	70555-0016	70555-0051	70555-0086			70555-5016
18	70555-0017	70555-0052	70555-0087			70555-5017
19	70555-0018	70555-0053	70555-0088			70555-5018
20	70555-0019	70555-0054	70555-0089			70555-5019
21	70555-0020	70555-0055	70555-0090			70555-5020
22	70555-0021	70555-0056	70555-0091			70555-5021
23	70555-0022	70555-0057	70555-0092			70555-5022
24	70555-0023	70555-0058	70555-0093			70555-5023
25	70555-0024	70555-0059	70555-0094			70555-5024

X IN COLUMN UNDER *ASSEMBLY ITEM NUMBER * HEADING DENOTES TOOLING NOT AVAILABLE

UPDATE REV LEVEL EC NO: UCP2009-0475 DRWINGSI BARRA 2008/09/11 CHKD:DMORGAN 2008/09/11 APPR:SMILLER 2008/09/12	QUALITY SYMBOLS 	GENERAL TOLERANCES (UNLESS SPECIFIED)		DIMENSION STYLE		SCALE	DESIGN UNITS	THIRD ANGLE PROJECTION	
				MM/IN		4:1	INCH		
				DRAWN BY DATE		CHECKED BY DATE			MOLEX INCORPORATED
				APPROVED BY DATE		MATERIAL NO.			
		ANGULAR ±1/2°		SEE TABLE		DOCUMENT NO.		SHEET NO.	
		DRAFT WHERE APPLICABLE MUST REMAIN WITHIN DIMENSIONS		THIS DRAWING CONTAINS INFORMATION THAT IS PROPRIETARY TO MOLEX INCORPORATED AND SHOULD NOT BE USED WITHOUT WRITTEN PERMISSION		SDA-70555-****		2 OF 2	

13		12		11		10		9		8		7		6		70555		4		3		2		1	
J	CIRCUIT SIZE	ENGINEERING NUMBER A-70555	MANUFACTURE RELEASE STATUS					D REF.	E ± .010	CONNECTOR END PLATING			P.C. BOARD END PLATING			VOIDED CIRCUIT NUMBER									
										PLATE PER ES- 88	TYPE	H MEAS.	TYPE	K MEAS.											
	2-10	-0001-0009	R.F.M.					(3.30)	(6.10)	TIN	(2.54)	.100	TIN	(1.27)	.050										
	11-25	-0010-0024	R.F.M.					.130	.240																
I	2-10	-0036-0044	R.F.M.					(3.30)	(6.10)	15 GOLD	(2.54)	.100	TIN	(1.27)	.050										
	11-25	-0045-0059	R.F.M.					.130	.240																
H	2-10	-0071-0079	R.F.M.					(3.30)	(6.10)	30 GOLD	(2.54)	.100	TIN	(1.27)	.050										
	11-25	-0080-0094	R.F.M.					.130	.240																
G	2-10	-0106-0114	R.F.M.					(2.67)	(6.10)	15 GOLD	(2.54)	.100	TIN	(1.27)	.050										
	11-25	-0115-0129	R.F.M.					.105	.240																
F	2-10																								
	11-25																								
F	2-10	-5001-5009	R.F.M.					(3.30)	(6.10)	TIN	(2.54)	.100	TIN	(1.27)	.050	2									
	11-25	-5010-5024	R.F.M.					.130	.240																

CIRCUIT SIZE	ASSEMBLY ITEM NUMBER	ASSEMBLY ITEM NUMBER	ASSEMBLY ITEM NUMBER	ASSEMBLY ITEM NUMBER	ASSEMBLY ITEM NUMBER	ASSEMBLY ITEM NUMBER
2	70555-0001	70555-0036	70555-0071			70555-5001
3	70555-0002	70555-0037	70555-0072			70555-5002
4	70555-0003	70555-0038	70555-0073	70555-0108		70555-5003
5	70555-0004	70555-0039	70555-0074	70555-0109		70555-5004
6	70555-0005	70555-0040	70555-0075			70555-5005
7	70555-0006	70555-0041	70555-0076			70555-5006
8	70555-0007	70555-0042	70555-0077			70555-5007
9	70555-0008	70555-0043	70555-0078			70555-5008
10	70555-0009	70555-0044	70555-0079			70555-5009
11	70555-0010	70555-0045	70555-0080			70555-5010
12	70555-0011	70555-0046	70555-0081			70555-5011
13	70555-0012	70555-0047	70555-0082			70555-5012
14	70555-0013	70555-0048	70555-0083			70555-5013
15	70555-0014	70555-0049	70555-0084			70555-5014
16	70555-0015	70555-0050	70555-0085			70555-5015
17	70555-0016	70555-0051	70555-0086			70555-5016
18	70555-0017	70555-0052	70555-0087			70555-5017
19	70555-0018	70555-0053	70555-0088			70555-5018
20	70555-0019	70555-0054	70555-0089			70555-5019
21	70555-0020	70555-0055	70555-0090			70555-5020
22	70555-0021	70555-0056	70555-0091			70555-5021
23	70555-0022	70555-0057	70555-0092			70555-5022
24	70555-0023	70555-0058	70555-0093			70555-5023
25	70555-0024	70555-0059	70555-0094			70555-5024

X IN COLUMN UNDER *ASSEMBLY ITEM NUMBER *HEADING DENOTES TOOLING NOT AVAILABLE

DIMENSIONS SHOWN (METRIC) INCH UNLESS OTHERWISE SPECIFIED TOLERANCES: ANGULAR ± 1/2°		▽ = 0 ▼ = 0		REVISE ONLY ON CAD SYSTEM	
3 PLACE ± .005		INCH		METRIC	
2 PLACE ± .01 ± 0.13		INCH		METRIC	
1 PLACE ± 0.25		INCH		METRIC	
DRAFT WHERE APPLICABLE MUST REMAIN WITHIN DIMENSIONS					
DRWG. BY: AAB	CHK'D. BY: AAB	FILE NAME: 570555X2	DRWG. NO.: SDA-70555-****	SHEET NO.: 2	DATE: 05/13/93
APPR. BY: WAZ	SCALE: :	THIS DRAWING CONTAINS INFORMATION THAT IS PROPRIETARY TO MOLEX INC. AND SHOULD NOT BE USED WITHOUT WRITTEN PERMISSION			
LTR. REVISIONS	LTR. REVISIONS	SEE CHART			